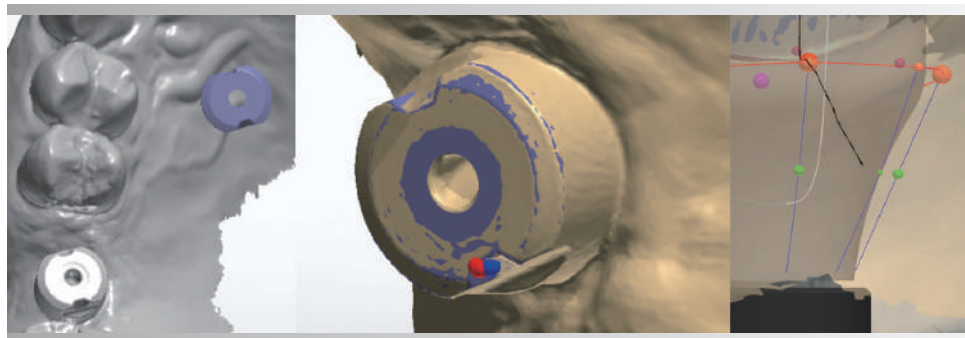


GTS Transfer Scanbody

Digital implant technology

Convenient & Prompt Digital Implant Impression

Intra oral Scanbody
Healing Abutment
Bite Index



3shape  exocad

GTS Transfer Scanbody



- Biocompatible **Titanium (Ti-6Al-4V ELI)** from **CARPENTER Co.** guarantees high-durability.
- Autoclavable.
- **Providing various sizes.**
- Osstem TS And Dentium Super Line Connections are available.
- Providing **High precise Geo library** for CAD s/w (3Shape, Exocad, Dental wings).
- **Special tool** allows finding the right position and preventing detachment of the screw.
- **Zirconia prosthesis designing** with multi-base.

Differentiate the Gingival height by appearance



Healing Abutment & Bite Index



GTS Scanbody is multifunctional that can be also used as a healing abutment and impression coping.

The groove on the scan body allows users to define different gingiva types and provide a bite index when taking an impression.

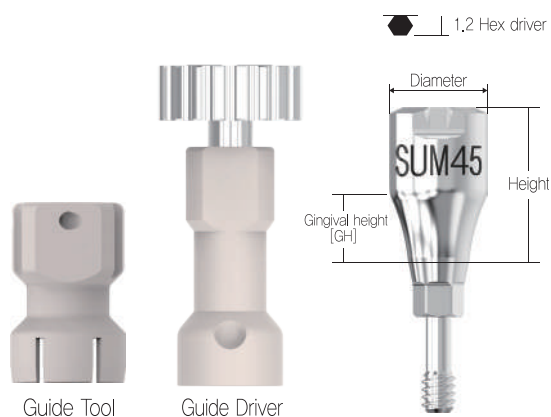
Guide Tool



Guide Tool protects the scan body from any damage and helps to find dental implant connection easily.

GTS Transfer Scanbody List

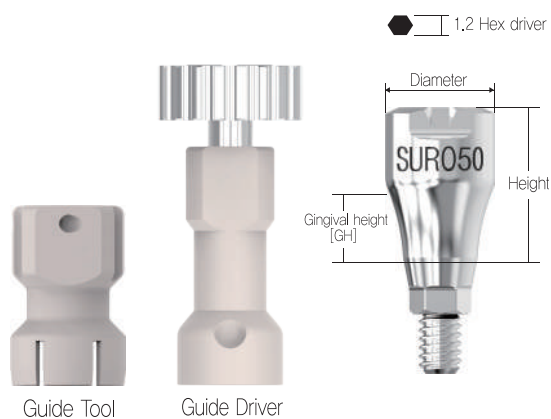
• SUM – Series (Osstem Implant TS Mini)



* Laser mark [SUM45: Diameter 4,5mm]
Easy verifying of gingival heights by differentiated appearance.

Diameter GH/Height		Diameter	
		4,0mm	4,5mm
	2,0mm / 5,0mm	GTS-SUM4020	GTS-SUM4520
	4,0mm / 7,0mm	GTS-SUM4040	GTS-SUM4540
	6,0mm / 9,0mm	GTS-SUM4060	GTS-SUM4560
Guide Tool		GTST40	–
Guide Driver		GTST-S40-120H	GTST-S45-120H

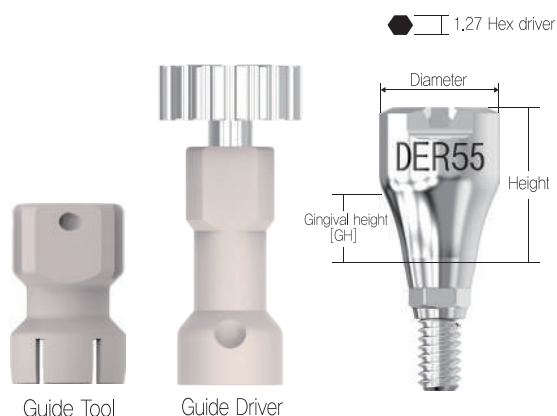
• SURO – Series (Osstem Implant TS Standard / Dio UF Regular)



* Laser mark [SURO50: Diameter 5,0mm]
Easy verifying of gingival heights by differentiated appearance.

Diameter GH/Height		Diameter			
		4,0mm	5,0mm	6,0mm	7,0mm
	2,0mm / 5,0mm	GTS-SURO4520	GTS-SURO5020	GTS-SURO6020	GTS-SURO7020
	4,0mm / 7,0mm	GTS-SURO4540	GTS-SURO5040	GTS-SURO6040	GTS-SURO7040
	6,0mm / 9,0mm	GTS-SURO4560	GTS-SURO5060	GTS-SURO6060	GTS-SURO7060
Guide Tool		–	GTST50	GTST60	GTST70
Guide Driver		GTST-S45-120H	GTST-S50-120H	–	–

• DER – Series (Dentium Super-line / Megagen AnyOne / Dentis S-clean / Neo IS)



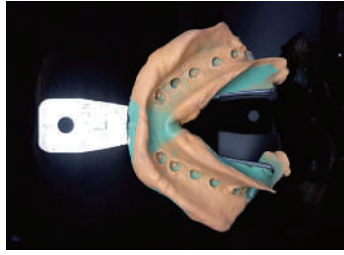
* Laser mark [DER55: Diameter 5,5mm]
Easy verifying of gingival heights by differentiated appearance.

Diameter GH/Height		Diameter			
		4,0mm	4,5mm	5,5mm	6,5mm
	2,0mm / 5,0mm	GTS-DER4020	GTS-DER4520	GTS-DER5520	GTS-DER6520
	4,0mm / 7,0mm	GTS-DER4040	GTS-DER4540	GTS-DER5540	GTS-DER6540
	6,0mm / 9,0mm	GTS-DER4060	GTS-DER4560	GTS-DER5560	GTS-DER6560
Guide Tool		GTST40	GTST45	GTST55	GTST65
Guide Driver		–	GTST-D45-127H	GTST-D55-127H	–

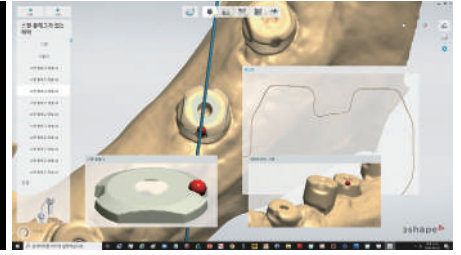
Direct Impression → Digital process



GTS scanbody in patient's mouth



impression taking and stone model casting



Designing process with scan data from model scanner

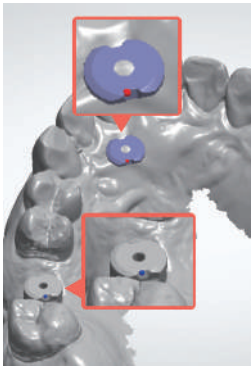


Designing process with scan data from model scanner

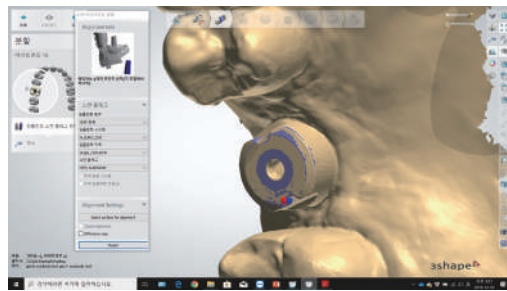


Final prosthesis setting to the patient's mouth

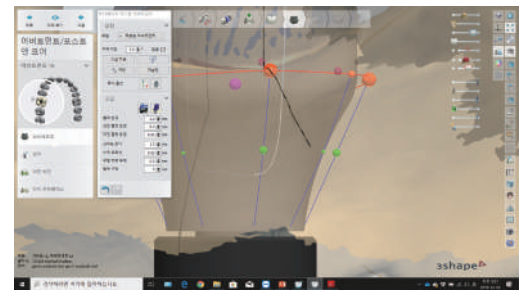
Effortless Matching with Implant CAD Library



easy match with CAD library even with partial scanning.

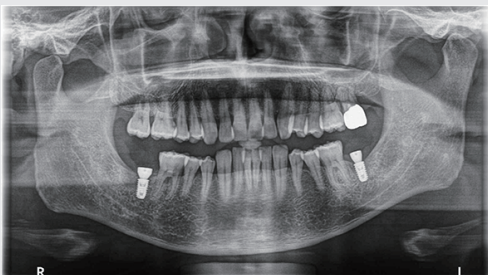


*standard mesh geometry allows precise matching



*Gingival design with reference of the GTS Scanbody Library

Clinical case



GeoMedi Co., Ltd.

#B112, 702, 703, 704, 705, 709-1, 810-2, 811
 Unit D, Indeokwon IT Valley, 40, Imi-ro, Uiwang-si, Gyeonggi-do, Korea
 Tel : 82-2-588-2871 Fax : 82-2-6280-2849
 sales@geomedi.com www.geomedi.com

Scan the QR code
 to visit the webpage

