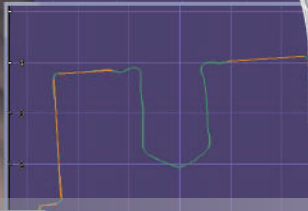
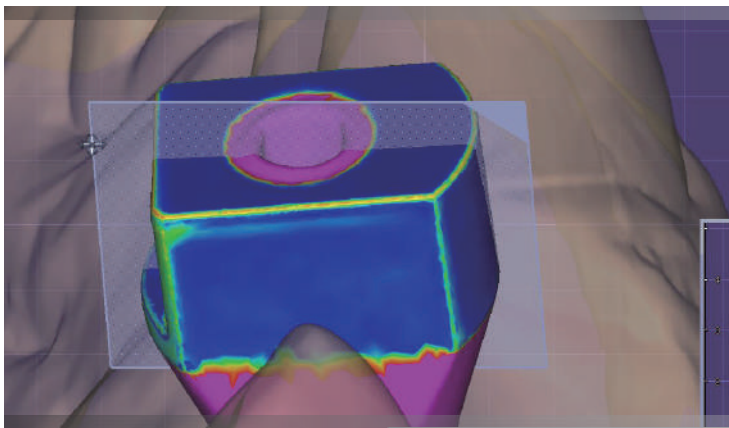


GEOMEDI

GMS Intra oral Scanbody



Digital implant technology



3shape

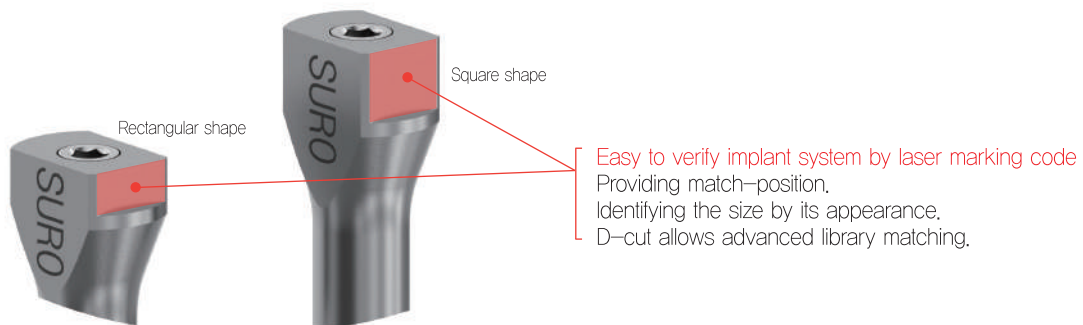
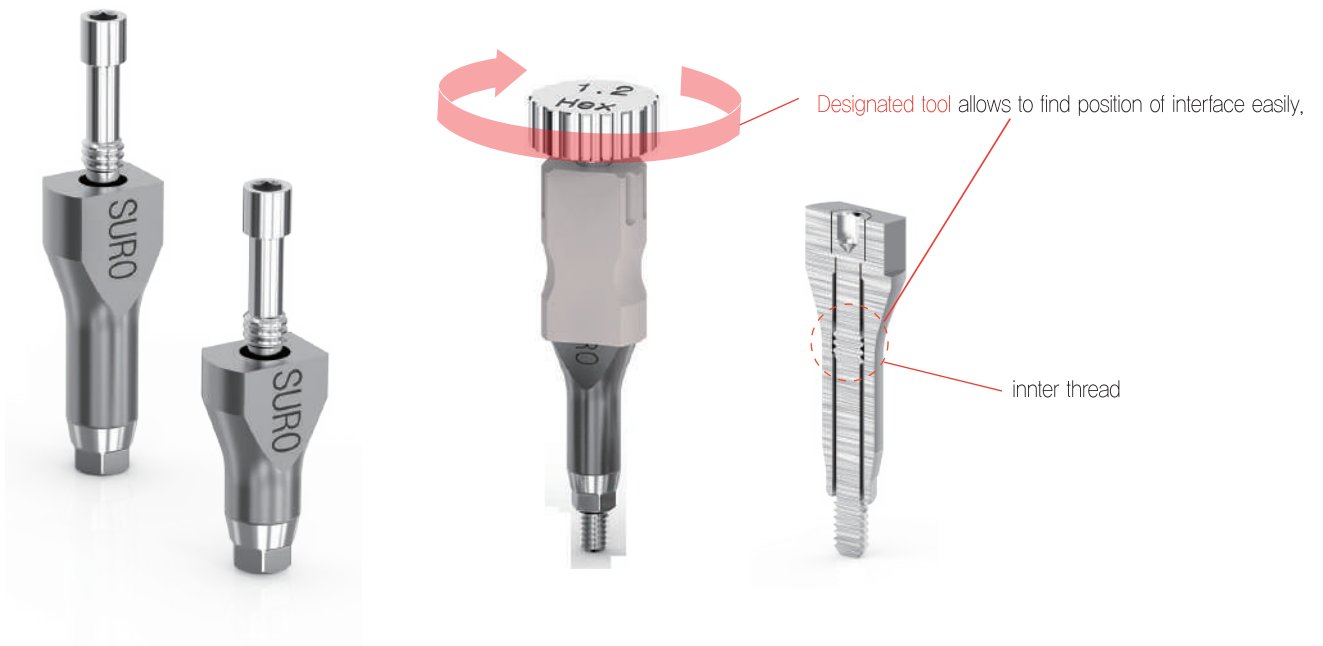
Compatible with
exocad

dental wings

GMS Intra-Oral Scanbody









- Biocompatible Titanium (Ti-6Al-4V ELI) from CARPENTER Co. guarantees high-durability.
- Autoclavable.
- Special coating allows spray-free scanning.
- Providing two different sizes - 7.5mm(Short) / 11.5mm(Long)
- Consistent performance & Visibility in X-ray.
- Various implant systems are available.
- Providing highly precise Geo Library for various CAD software. (3Shape, Exocad, Dental Wings)
- Customized abutment design for CNC & Pre-milled blank is available.
- Zirconia prosthesis designing with multi-base.









GMS Scanbody List



● Osstem Implant TS (Compatible with Dio UF Regular)

Connection \ Length	11.5mm (Long)	7.5mm (Short)
Mini	 GMS-SUML	 GMS-SUMS
Standard	 GMS-SUROL	 GMS-SUROS





GMS Guide Driver	
	1.20 Hex GMST-120H53
	1.20 Hex GMST-120H65



● Osstem Implant US

Connection \ Length	11.5mm (Long)	7.5mm (Short)
Mini	 GMS-EXML	 GMS-EXMS
Regular	 GMS-EXRL	 GMS-EXRS
Wide	10.0mm (Long)	
	 GMS-EXWL	 GMS-EXWS



GMS Guide Driver	
	1.20 Hex GMST-120H53
	1.20 Hex GMST-120H65
/	


● Osstem Implant SS

Connection \ Length	10mm (Long)	7.5mm (Short)
Regular	 GMS-ISRL	 GMS-ISRS
Wide	 GMS-ISWL	 GMS-ISWS



GMS Guide Driver	
	1.20 Hex GMST-120H65
	1.20 Hex GMST-120H65

● Dentium Super-Line (Compatible with Megagen AnyOne & Dentis OneQ)

Connection \ Length	11.5mm (Long)	7.5mm (Short)
Universal	 GMS-DERL	 GMS-DERS



GMS Guide Driver	
	1.27 Hex GMST-127H65


● Megagen AnyRidge

Connection \ Length	11.5mm (Long)	7.5mm (Short)
Universal	 GMS-MARRL	 GMS-MARRS






GMS Guide Driver	
	1.20 Hex GMST-120H65



● Neo Implant IS

Connection \ Length	11,5mm (Long)	7,5mm (Short)
Universal	 DERN GMS-DERNL	 DERN GMS-DERNS





GMS Guide Driver	
	1,20 Hex GMST-120H65



● Straumann Bone Level

Connection \ Length	11,5mm (Long)	7,5mm (Short)
SC	 BLS GMS-BLSL	
NC	 BLM GMS-BLML	 BLM GMS-BLMS
RC	 BLR GMS-BLRL	 BLR GMS-BLRS


GMS Guide Driver	
/	
	Torx GMST-ST53
	Torx GMST-ST65

● Straumann Tissue Level

Connection \ Length	10,0mm (Long)	7,5mm (Short)
RN	 ITR GMS-ITRL	 ITR GMS-ITRS
WN	 ITW GMS-ITWL	 ITW GMS-ITWS







GMS Guide Driver	
	Torx GMST-ST65
	Torx GMST-ST65




● Straumann BLX

Connection \ Length	11,5mm (Long)	7,5mm (Short)
RB/WB	 BLX GMS-BLXL	









GMS Guide Driver	
	Torx GMST-ST53





● Nobel Biocare Active

Connection \ Length	11,5mm (Long)	7,5mm (Short)
NP	 ACN GMS-ACNL	 ACN GMS-ACNS
RP	 ACR GMS-ACRL	 ACR GMS-ACRS
WP	 ACW GMS-ACWL	 ACW GMS-ACWS





GMS Guide Driver	
	Unigrip GMST-NB53
	Unigrip GMST-NB65
	Unigrip GMST-NB65



● Nobel Biocare Replace

Connection \ Length	11.5mm (Long)	7.5mm (Short)
NP	 RPM GMS-RPML	 RPM GMS-RPMS
RP	 RPR GMS-RPRL	 RPR GMS-RPRS
WP	 RPW GMS-RPWL	 RPW GMS-RPWS
60	 RP60 GMS-RP60L	 RP60 GMS-RP60S










GMS Guide Driver	
	Unigrip GMST-NB53
	Unigrip GMST-NB65
	Unigrip GMST-NB65
	GMST-NB65





● Astra Tech Osseospeed TX

Connection \ Length	11.5mm (Long)	7.5mm (Short)
Aqua (3.5 / 4.0)	 ASR GMS-ASRL	 ASR GMS-ASRS
Lilac (4.5 / 5.0)	 ASW GMS-ASWL	 ASW GMS-ASWS







GMS Guide Driver	
	1.27 Hex GMST-127H53
	1.27 Hex GMST-127H65




● Astra Tech EV

Connection \ Length	11.5mm (Long)	7.5mm (Short)
3.0	 EV30 GMS-AEV30L	 EV30 GMS-AEV30S
3.6	 EV36 GMS-AEV36L	 EV36 GMS-AEV36S
4.2	 EV42 GMS-AEV42L	 EV42 GMS-AEV42S
4.8	 EV48 GMS-AEV48L	 EV48 GMS-AEV48S
5.4	 EV54 GMS-AEV54L	 EV54 GMS-AEV54L





GMS Guide Driver	
/	
	GMST-127H53
	GMST-127H65
	GMST-127H65
	GMST-127H65



● Zimmer Tapered Screw-vent (Compatible with MIS seven 3.75/4.2, 5.0/6.0)

Connection \ Length	11.5mm (Long)	7.5mm (Short)
3.5 MIS seven 3.75/4.2	 TSV3 GMS-TSV3L	 TSV3 GMS-TSV3S
4.5 MIS seven 5.0/6.0	 TSV4 GMS-TSV4L	 TSV4 GMS-TSV4S
5.7	 TSV5 GMS-TSV5L	 TSV5 GMS-TSV5S







GMS Guide Driver	
	1.27 Hex GMST-127H53
	1.27 Hex GMST-127H65
	1.27 Hex GMST-127H65




● Biomet 3i Certain

Connection \ Length	11.5mm (Long)	7.5mm (Short)
3.4	 3ICM GMS-3ICML	 3ICM GMS-3ICMS
4.1 / 5.0 / 6.0	 3ICR GMS-3ICRL	 3ICR GMS-3ICRS


GMS Guide Driver	
	1.20 Hex GMST-120H53
	1.20 Hex GMST-120H65

● MIS C1

Connection \ Length	11.5mm (Long)	7.5mm (Short)
3.3	 C1M GMS-C1ML	 C1M GMS-C1MS
3.75/4.2	 C1R GMS-C1RL	 C1R GMS-C1RS
5.0	 C1W GMS-C1WL	 C1W GMS-C1WS

GMS Guide Driver	
	1.27 Hex GMST-127H53
	1.27 Hex GMST-127H65
	1.27 Hex GMST-127H65

● Neodent GM

Connection \ Length	11.5mm (Long)	7.5mm (Short)
Universal	 NCG GMS-NCGL	

GMS Guide Driver	

GeOMEDI

(주) 지오메디

경기도 의왕시 이미로 40 (포일동, 인덕원IT밸리) D동 B112, 702-705, 810-2, 811
Tel : 02-588-2871 / Fax : 02-6280-2849
sales@geomedi.com www.geomedi.com

GeoMedi Co., Ltd.

#B112, 702-705, 810-2, 811, Unit D, Indeokwon IT Valley, 40, Imi-ro, Uiwang-si, Gyeonggi-do, Korea
Tel : 82-2-588-2871 / Fax : 82-2-6280-2849
sales@geomedi.com www.geomedi.com